

## Milano - 60" Double Bowl

## Specification & Installation Guide

### Features

- Wall hung 60" vanity : 33-1/2"(852mm)H x 18"(458mm)D x 59-1/4" (1505mm)W
- Furniture grade plywood layered with solid wood veneer and protected with several coats of polyurethane.
- Matching finish inside out
- Six fully adjustable drawers with full-extension soft-close hardware.
- Bottom drawers include adjustable tempered glass dividers
- Tall center drawer includes an interior pull-out drawer
- Feet option: 4 L-Feet, 2 S-Feet or C-Base in Polished Chrome, Brushed Nickel, Polished Nickel, Matte Black, or Satin Brass

### Top/Basin options

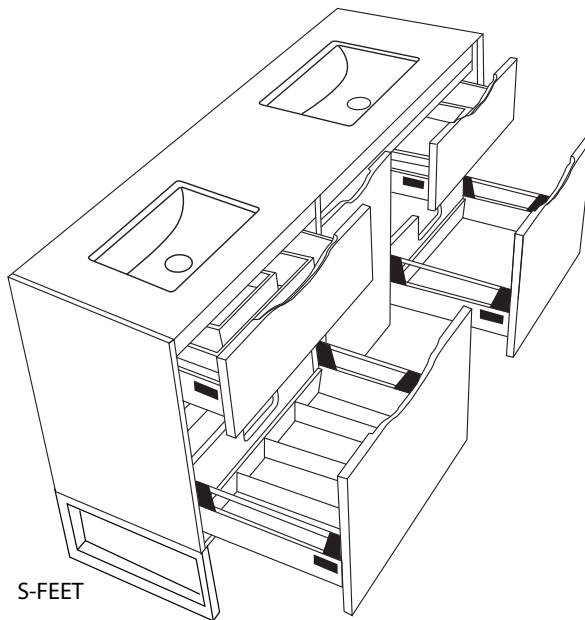
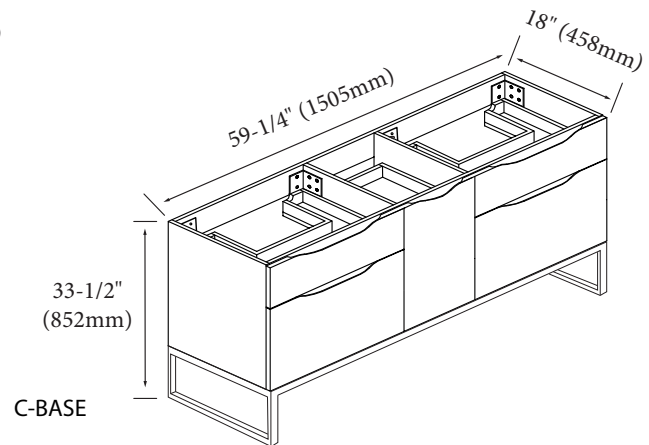
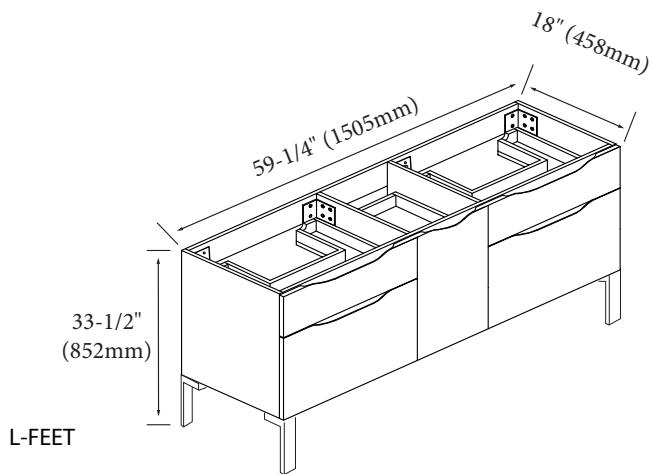
- Quartzstone™ top & White ceramic basin
- Glossy White X-Stone top/basin - 1-1/2"H
- Glossy White Trough Sink - 4-1/2"H
- Glossy or Matte White X-Stone flat countertop

### Package Dimensions

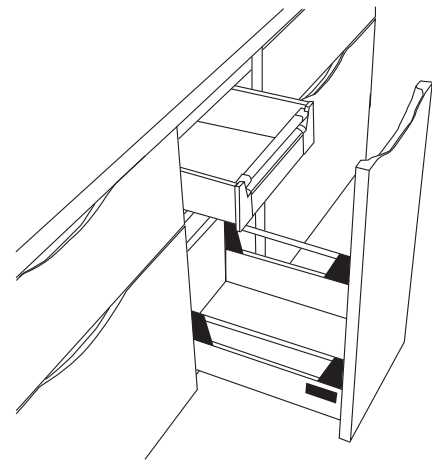
63" x 22" x 27"

### Weight

225 lbs. / 103 kgs



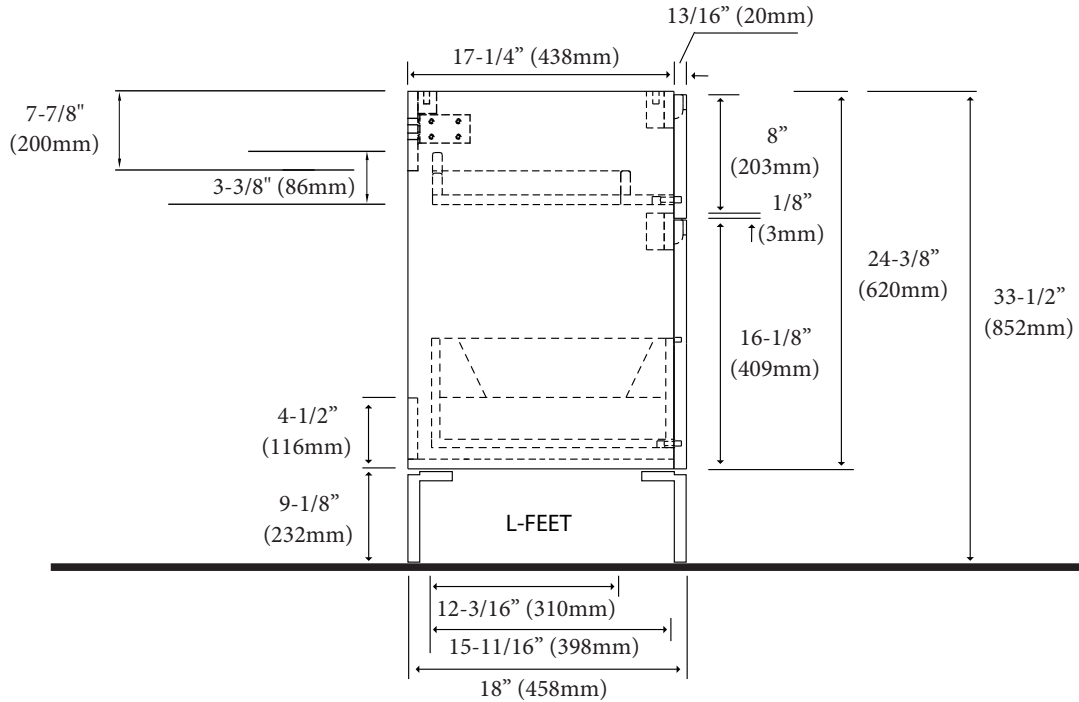
### CENTER DRAWERS



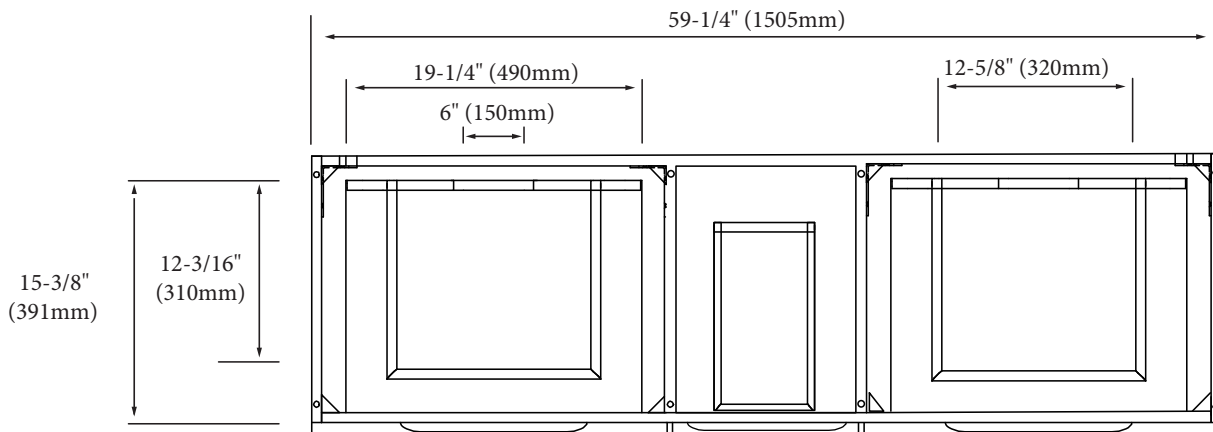
## Milano - 60" Double Bowl

## Specification & Installation Guide

### SIDE VIEW

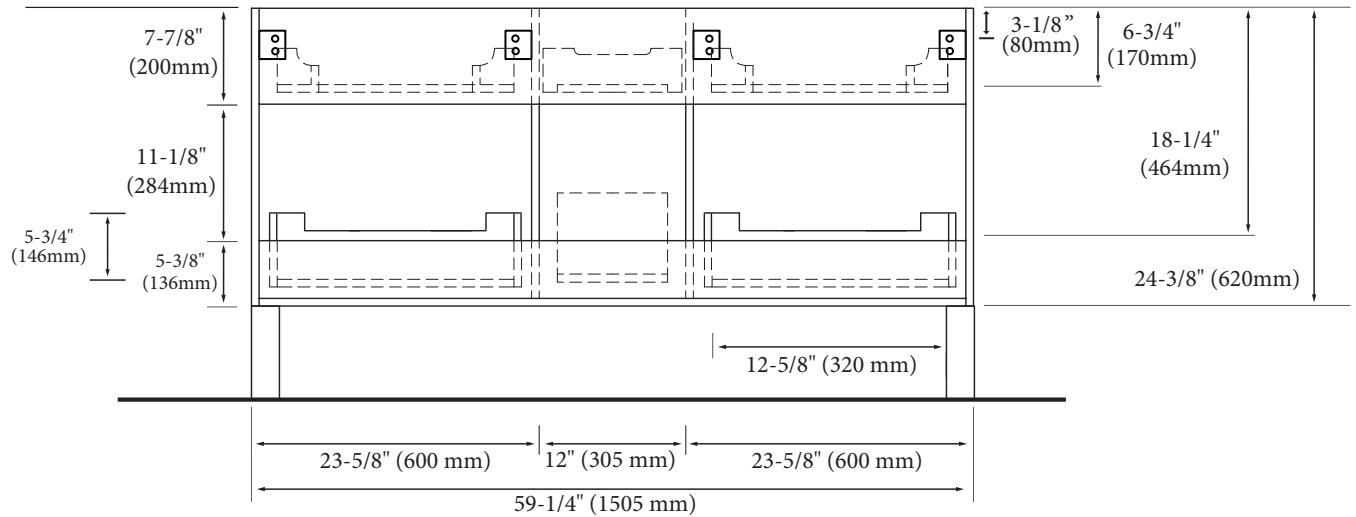


### TOP VIEW

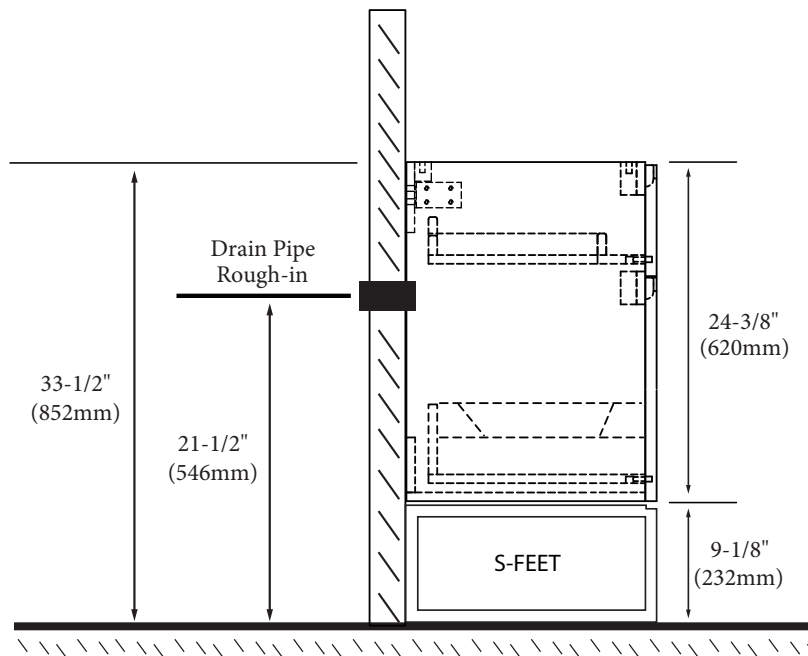


## Milano - 60" Double Bowl Specification & Installation Guide

### BACK VIEW



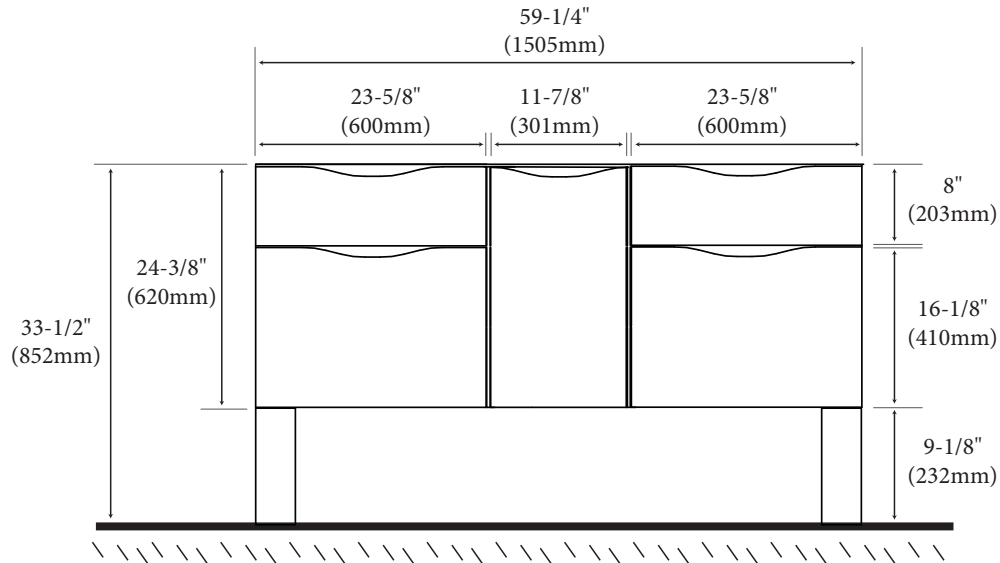
### ROUGH-IN DIMENSIONS



## Milano - 60" Double Bowl

## Specification & Installation Guide

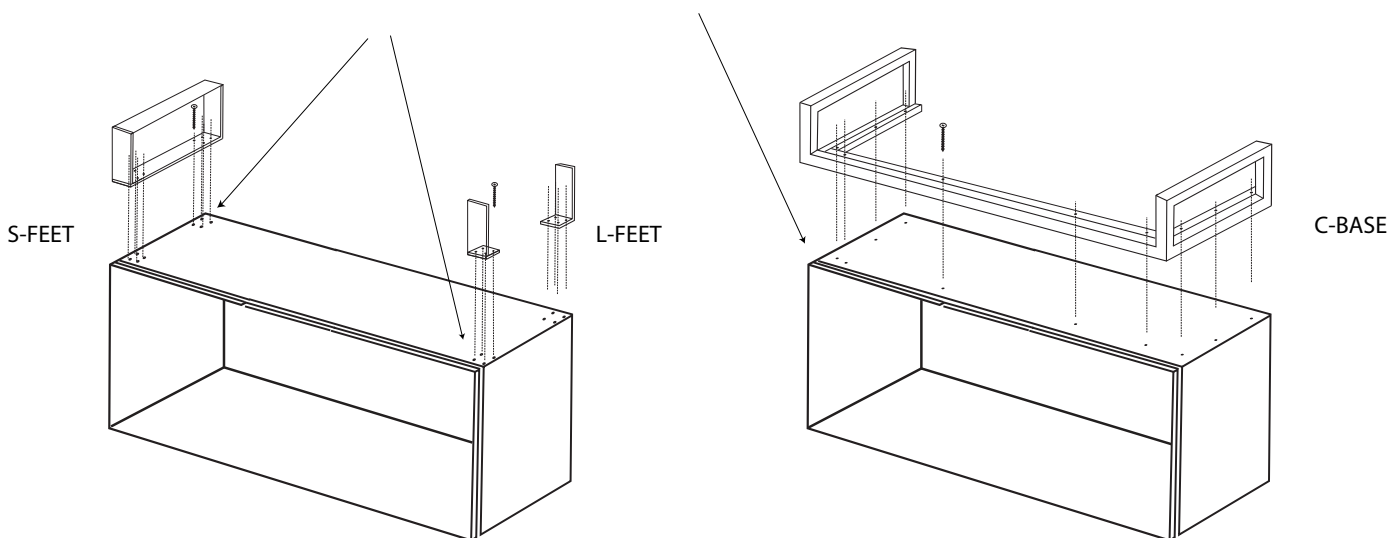
### FRONT VIEW



### INSTALLATION INSTRUCTIONS

#### 1. Install feet

1. Remove drawers and place vanity upside down
2. Place feet in indicated positions
3. Mark screw locations
4. Pre-drill holes with 5/64, 3/32 or 7/64 drill bit about 1/2" deep
5. **DO NOT OVER TIGHTEN THE SCREWS. DOING SO WILL SPLIT THE WOOD SIDE PANEL**
6. If using a regular battery drill, set clutch to minimum and increase setting as needed
7. **DO NOT USE AN IMPACT DRILL. IT WILL SPLIT THE WOOD SIDE PANEL**

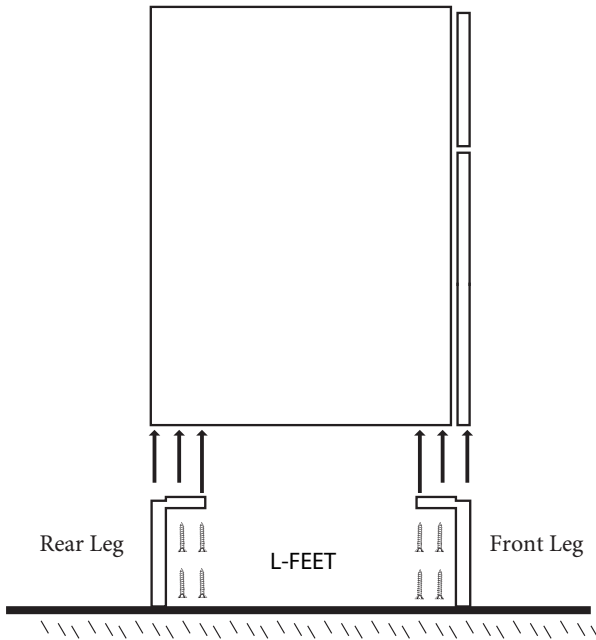


## Milano - 60" Double Bowl

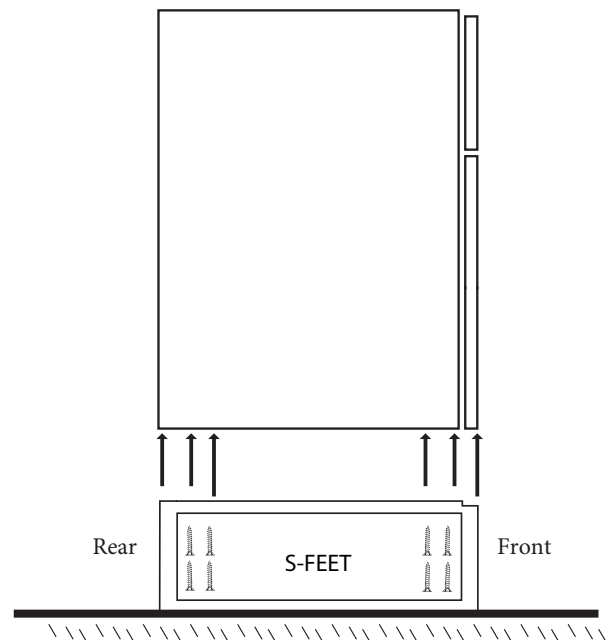
## Specification & Installation Guide

### INSTALLATION INSTRUCTIONS

#### 2. L- Feet position



#### 3. S- Feet position



#### 4. Secure cabinet to wall and Install countertop with Silicone

